

JZ831 Ultra-small Micro Power Wireless Module

User's Manual



Synergy Electronic Supply Co.,Ltd.

www.SYNes.co.th
MMM'211462'CO'LU

JZ831 Ultra-small Micro Power Wireless Module

JZ831 data transmission module is highly integrated micro-power with half-duplex wireless data transmission-module.uses-"A7102"-high-performance RF chips and high-speed microcontroller.

Module with fixed parameters approach to significantly reduce the user's operational requirements.

The transmission takes a transparent Transmission mode, a packet can pass 40 bytes, in the power supply in low voltage power supply module, no need to use the user-written set and transmission procedures. Small size, low cost, easy to use in large quantities.



Applications:

- ※ Water, electricity, gas, heating automatic meter reading system
- ※ Wireless smart terminal PDA
- ※ Wireless Queue System
- ※ Wireless alarm and security system
- ※ Smart Card
- ※ Medical and electronic instrumentation automation control
- ※ Intelligent teaching equipment
- ※ Intelligent home automation and lighting control
- ※ Wireless electronic scale

Features:

- ※ Frequency: 428-434MHz
- ※ Distance:100m(1200Bps)
- ※ Modulation:FSK
- ※ Transparent transmission
- ※ Built-in watchdog to ensure long-term reliable operation
- ※ UART/TTL Interface
- ※ Convenient and flexible
- ※ Almost 40bytes data buffer
- ※ Suitable for built-in installation

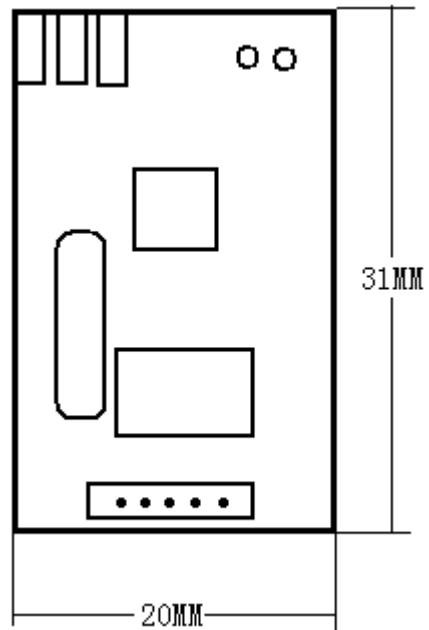
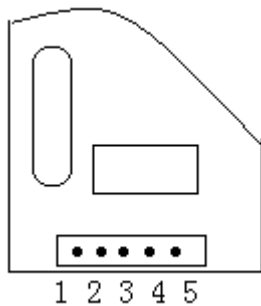
JZ831 module is built-in wireless module, the use of ISM frequency band, without application frequency; the use of custom-made communication frequency, transmit power is 20mW (13dB), high receiver sensitivity-115dbm, size 30mm * 19mm * 6mm, for the industry The smallest wireless module, very convenient for users to do the embedded wireless systems.

Modules interface definition

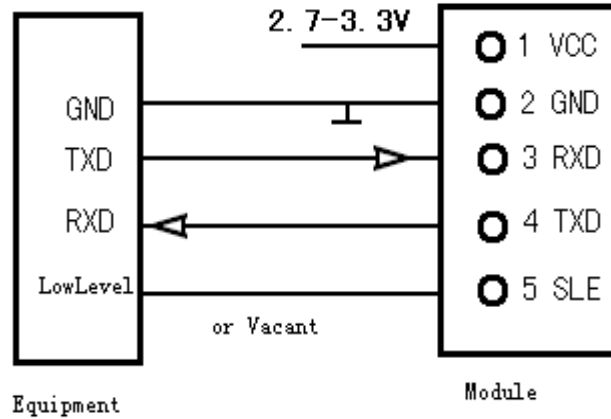
JZ831 interface definition as followings:

JZ831Pin definition					
Pin	PIN	Radio pin definition	User-terminal	Voltage	Remark
1	VCC	+3V	+3V	DC3V	
2	GND	Power supply/Ground	DGND/AGND	Ground	
3	RXD	Serial data receiving	TXD		User transmitting
4	TXD	Serial data transmitting	RXD		User receiving
5	SLE	Sleep mode input		TTL	Not open

Module-Size(JZ831)

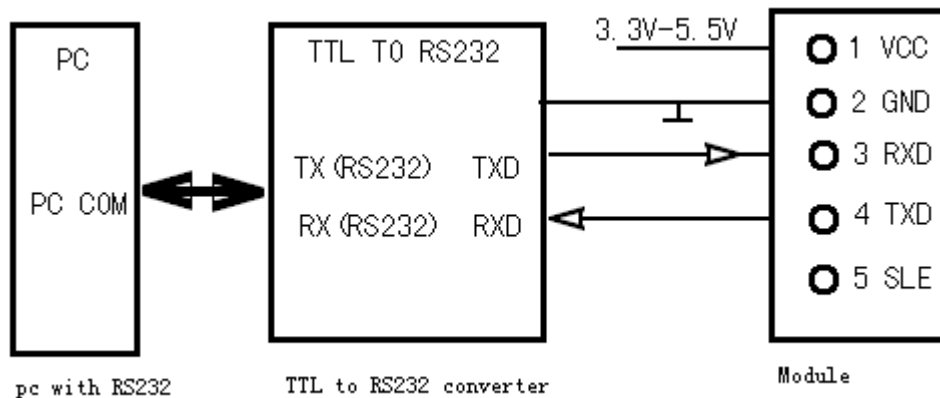


JZ831 connecting wireless module with customer equipment ways:



Note: JZ831 did not sleep in the state, the module of the SLE feet must be vacant. In the sleep state when the module must be low, the module can send and receive data.

JZ831 connecting wireless module with PC:



Note: As JZ831 mode TTL interface module, so the PC must be added to connect the TTL to RS232 converter, and converter must be powered.

Technical specification of JZ831

Technical specification	
Modulation:	FSK
Frequency:	433MHz Users could customize
Transmit Power:	20mW(13 dB)
Receiver sensitivity:	-115dBm
Transmit Current:	<50mA
Receive Current:	<25mA
Sleep Current:	<15uA
Channel Rate:	1200/2400/4800/9600Bit/s customized
Serial Port Rate:	1200/2400/4800/9600Bit/s customized
Interface:	TTL
Interface-data-format:	8E1/8N1/8O1 customized
Working Power:	DC 2.7~3.3V
Working Temperature:	-20°C~75°C
Working humidity:	10%~90% Relative humidity, no condensing
Size:	30mm*19mm*6mm
Communicated Model:	JZ831

Note: All of the rights of final interpretation and modification by our company